

10 DOOR RANGE TECHNICAL DRAWINGS

10

Aconbury	226
Allestree	232
Cosdon	234
Eastdon	238
Farringdon	240
Hartside	242
Rivington	244
Welford	246

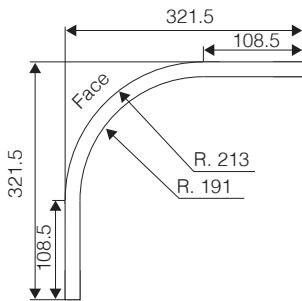
Technical Drawings

Aconbury

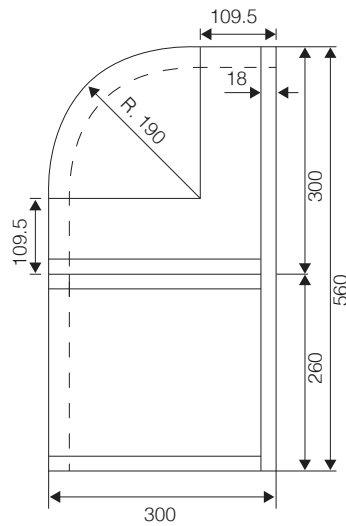
CONVEX CURVED DOOR

External curved door to suit base and wall units

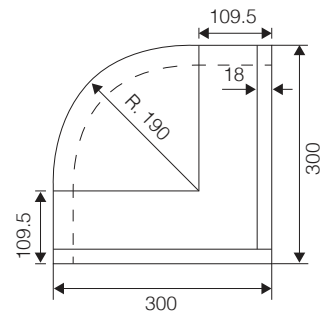
Door Dimensions



Base Unit



Wall Unit

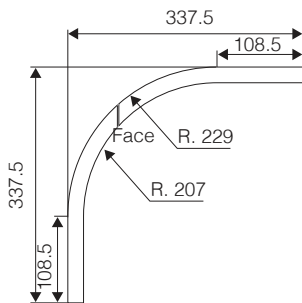


Note: Face of plinth is designed to sit back 30mm from the front edge of the cabinet.

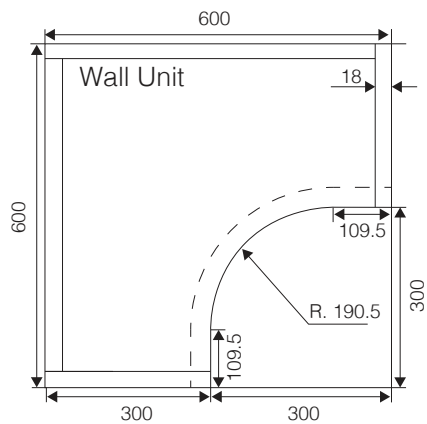
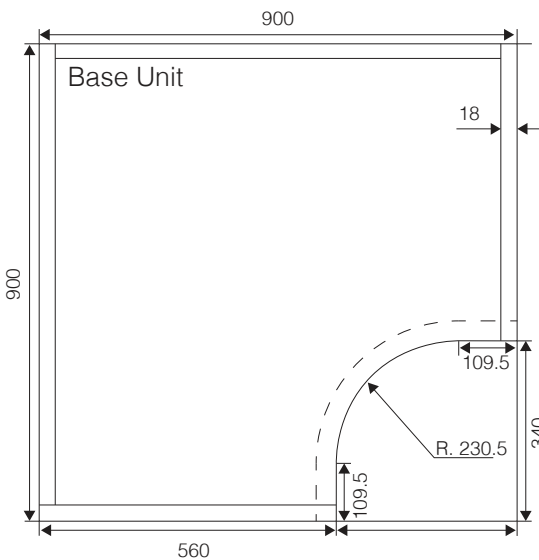
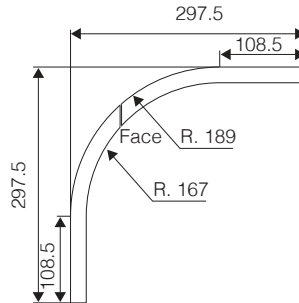
CONCAVE CURVED DOOR

Concave doors are sold as a pair of doors (left and right hand)

Base Door Dimensions



Wall Door Dimensions

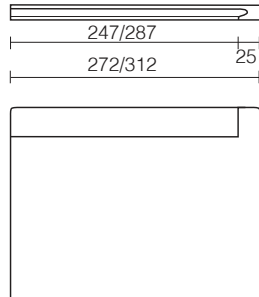


Aconbury

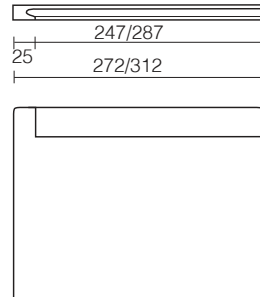
CORNER DOOR SETS

Corner doors are sold as a pair (left and right hand)

Left Hand Door

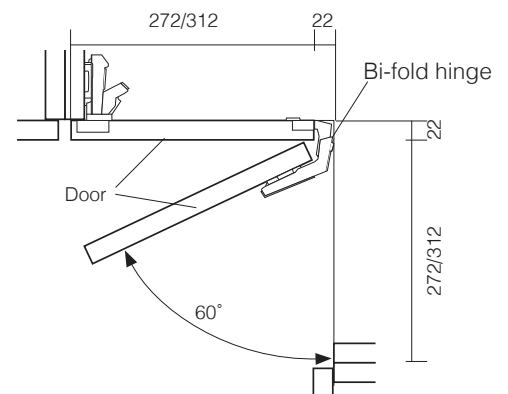
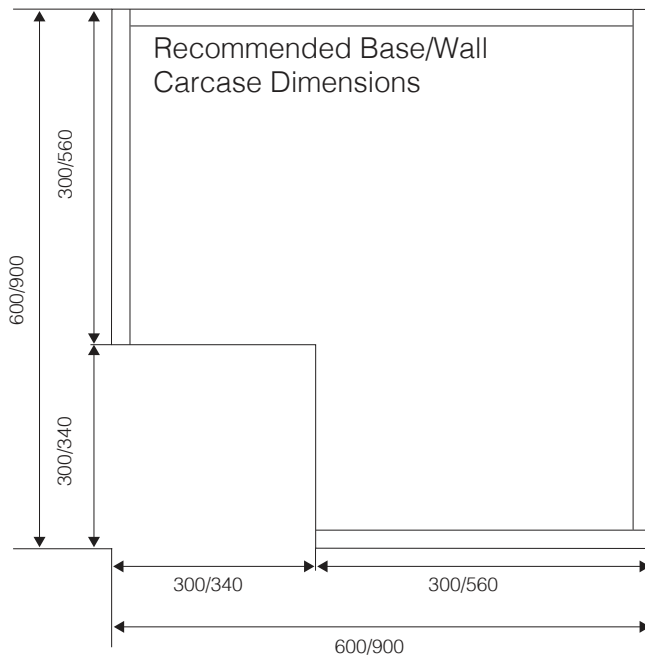


Right Hand Door

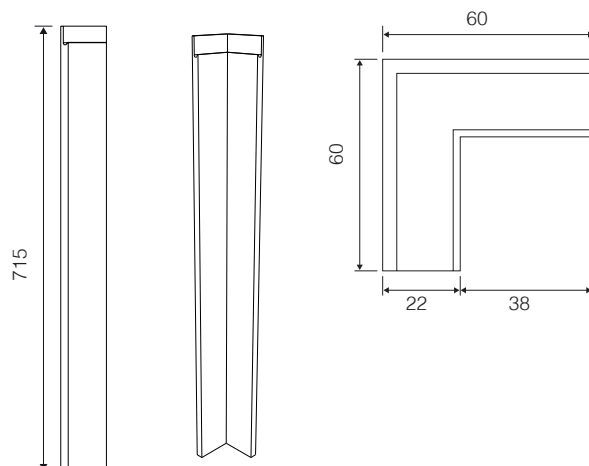


Did you know?

Aconbury corner doors can also be double hinged.



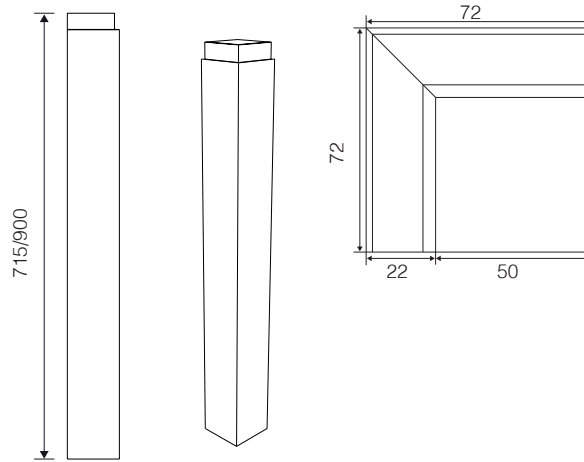
INTERNAL CORNER POST



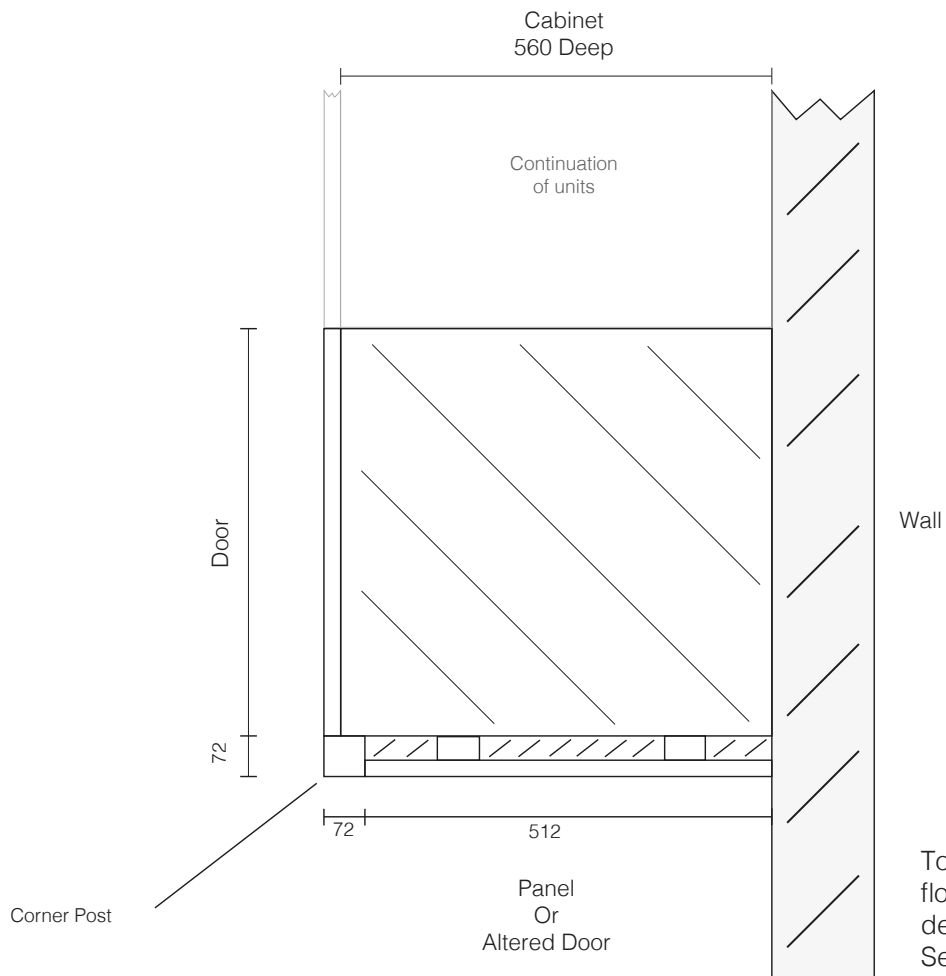
Technical Drawings

Aconbury

EXTERNAL CORNER POST

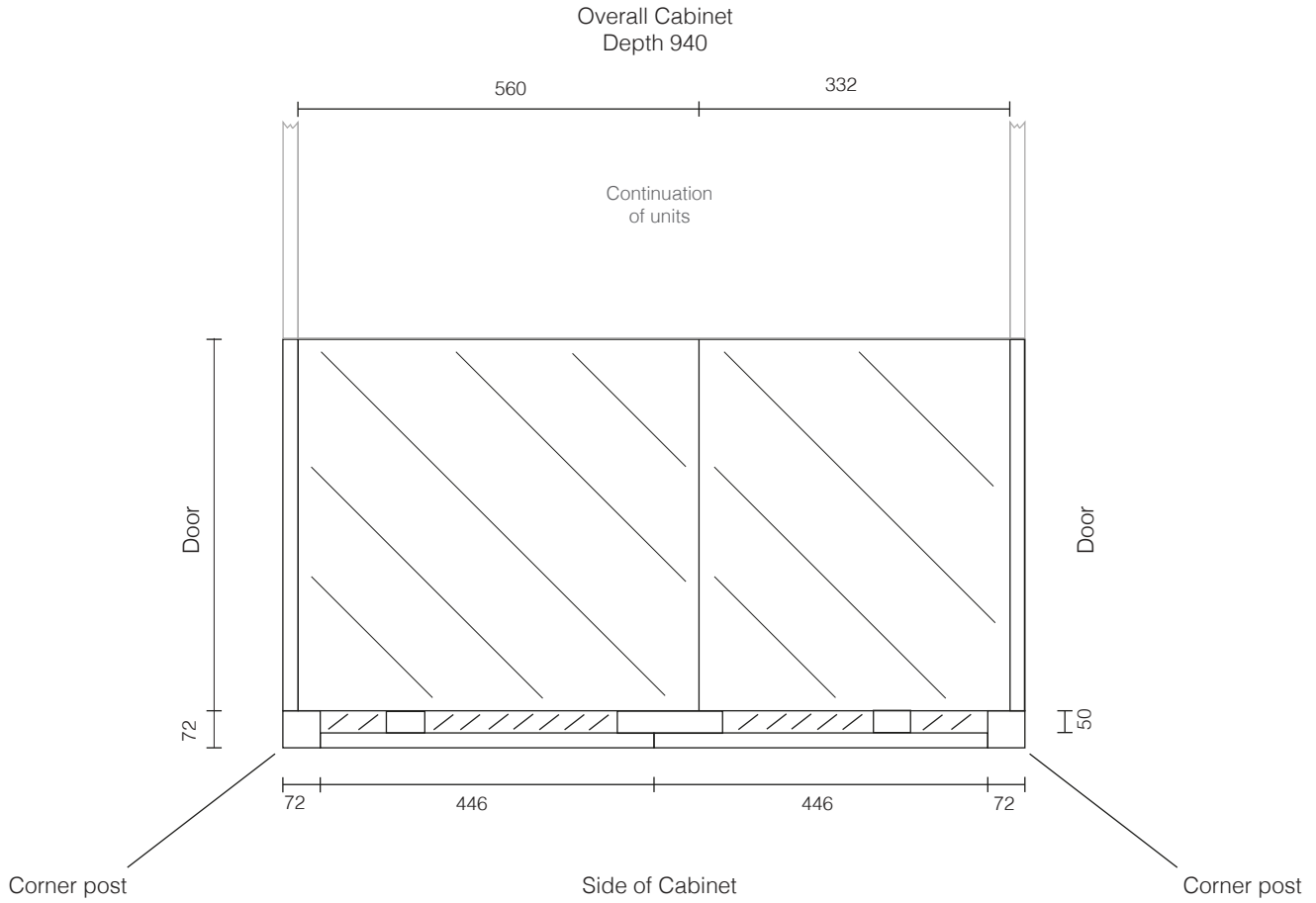


EXTERNAL CORNER POST - BASE UNIT



To achieve the continued flow of plinth, use the 90 degree corner connector. See page 197.

EXTERNAL CORNER POST - ISLAND

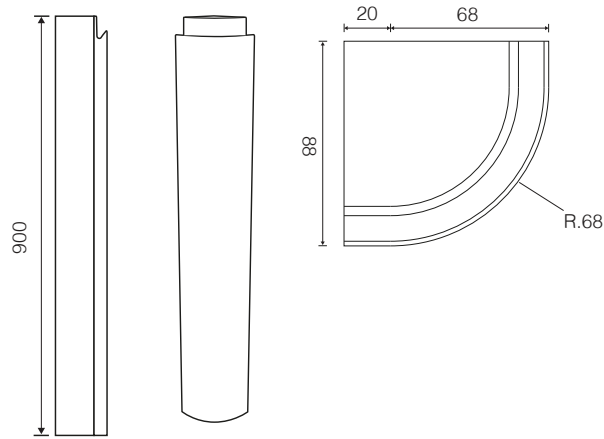


To achieve the continued flow of plinth, use the 90 degree corner connector. See page 197.

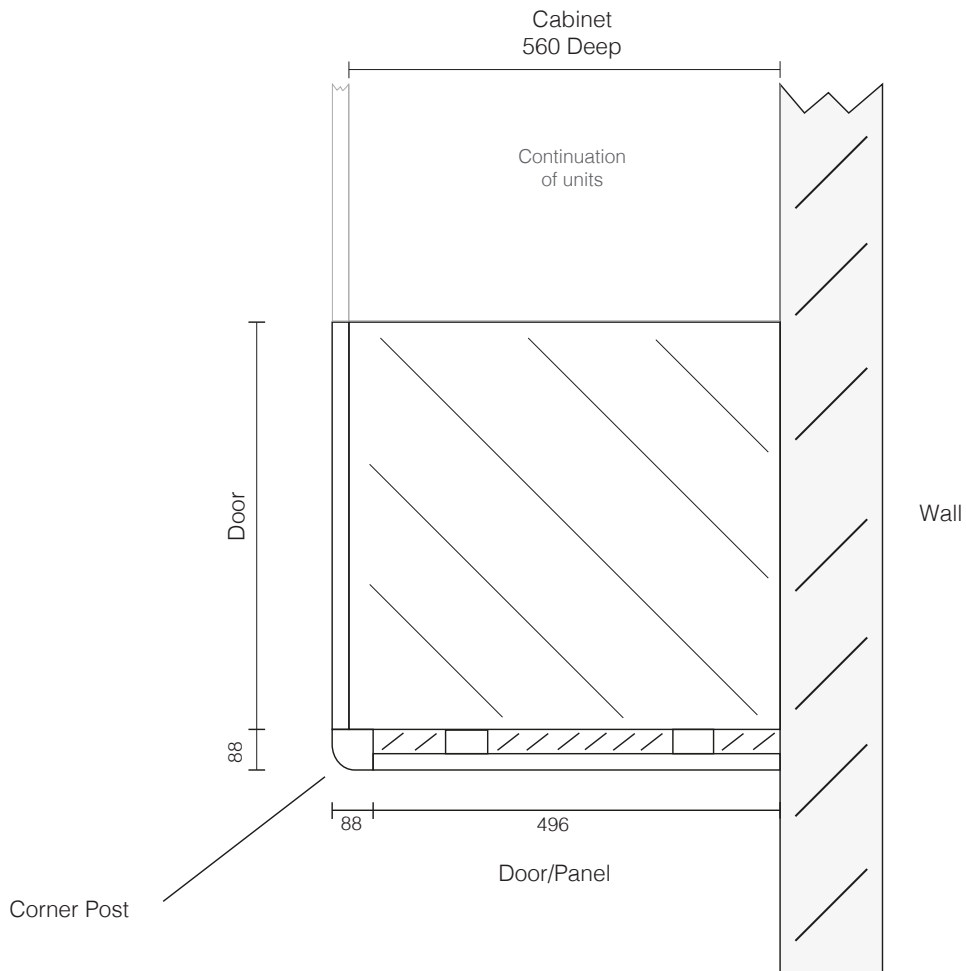
Technical Drawings

Aconbury

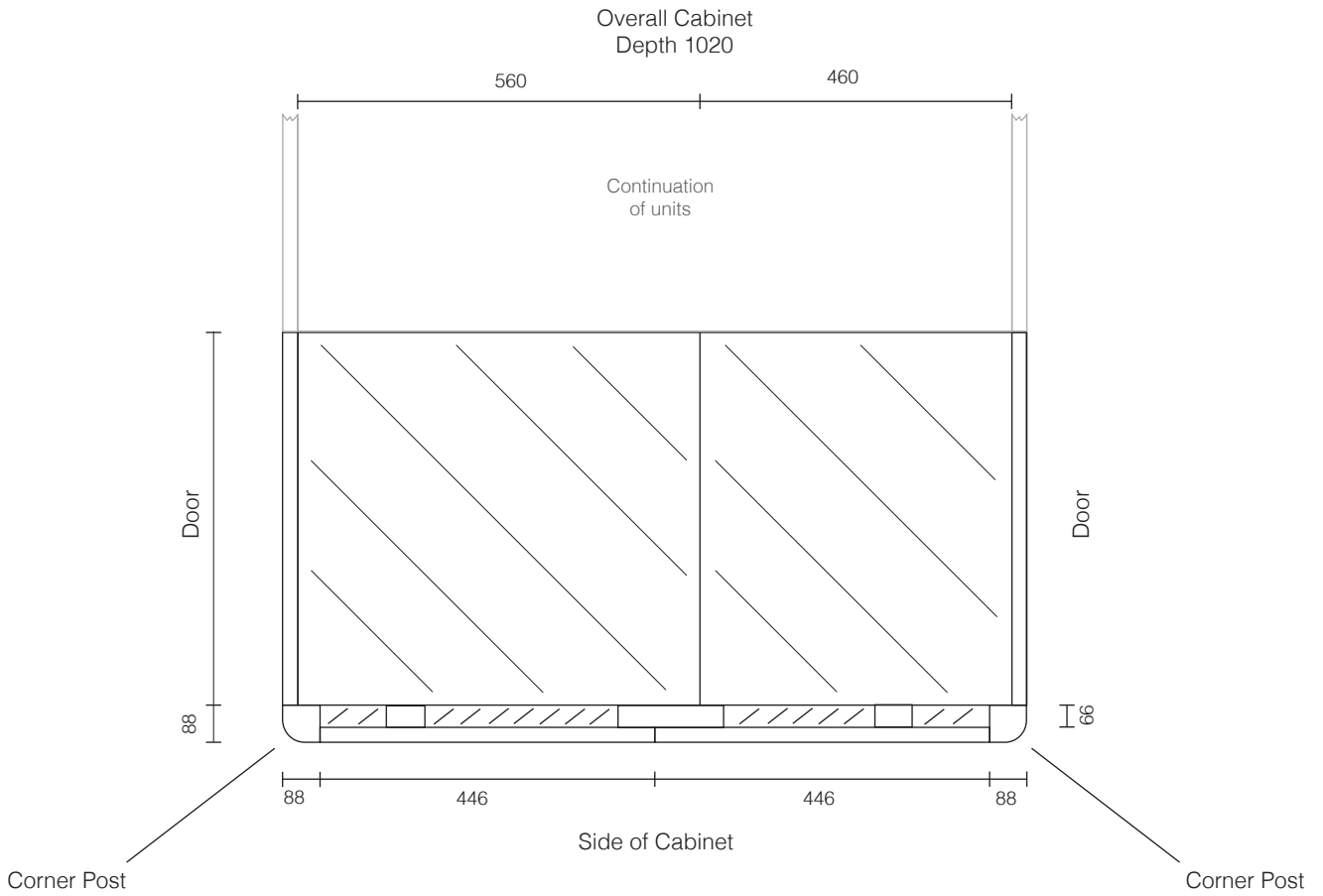
RADIUS CORNER POST



RADIUS CORNER POST - BASE UNIT



RADIUS CORNER POST - ISLAND

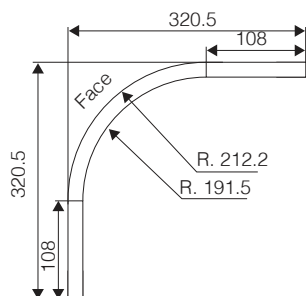


Technical Drawings

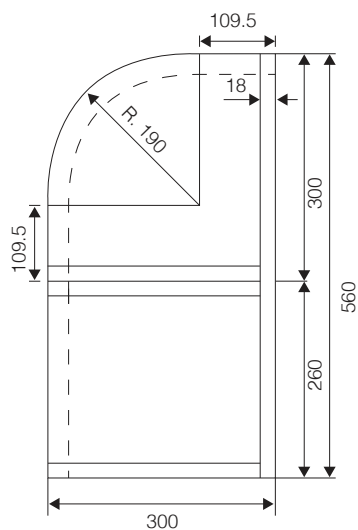
Allestree

CONVEX CURVED DOOR

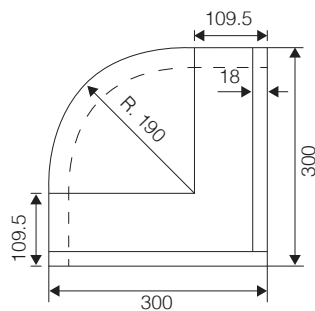
Door Dimension



Base Unit



Wall Unit

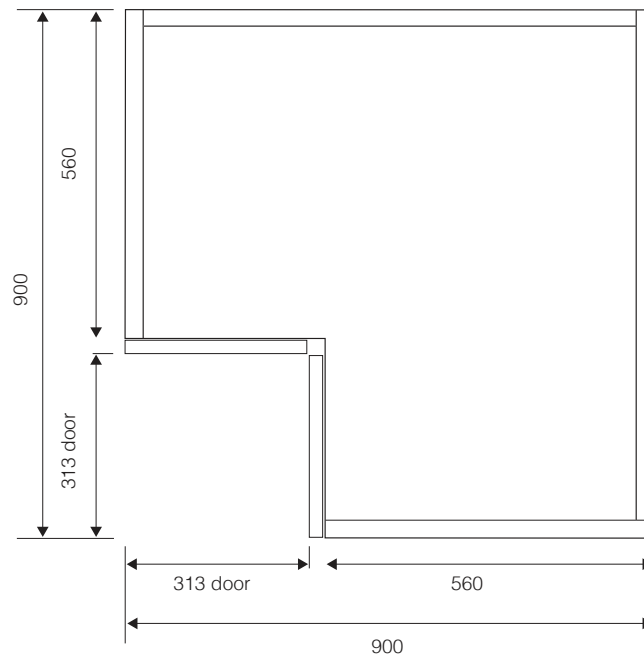


Note: Face of plinth is designed to sit back 40mm from the front edge of the cabinet.

Pelmet sits flush with cabinet, not the door.

CORNER DOOR UNIT - BASE

Doors widths to be used = 313mm

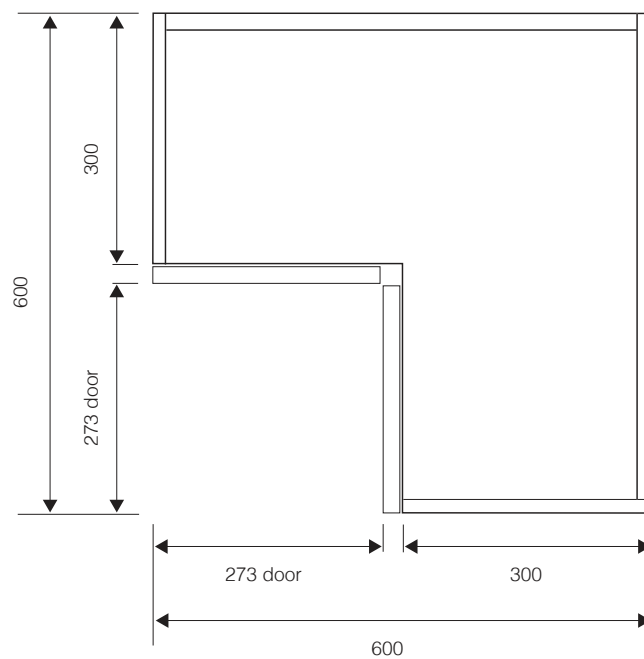


Did you know?

Allestree corner doors can be double hinged or bi-folded.

CORNER DOOR UNIT - WALL

Doors widths to be used = 273mm

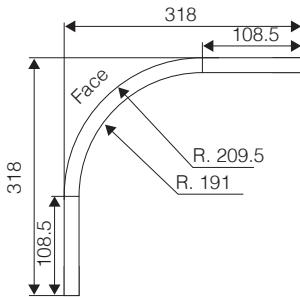


Technical Drawings

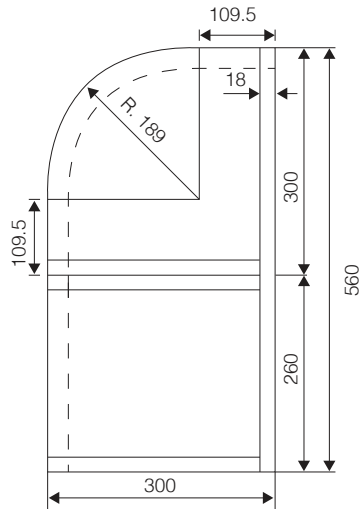
Cosdon

CONVEX CURVED DOOR

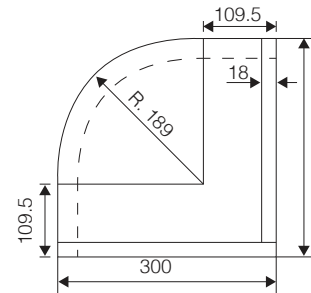
Door Dimensions



Base Unit

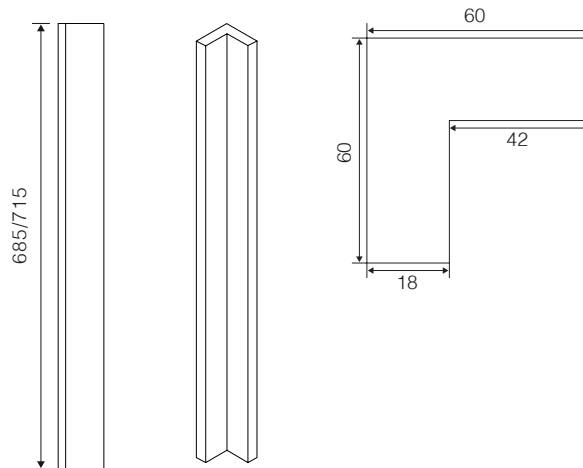


Wall Unit

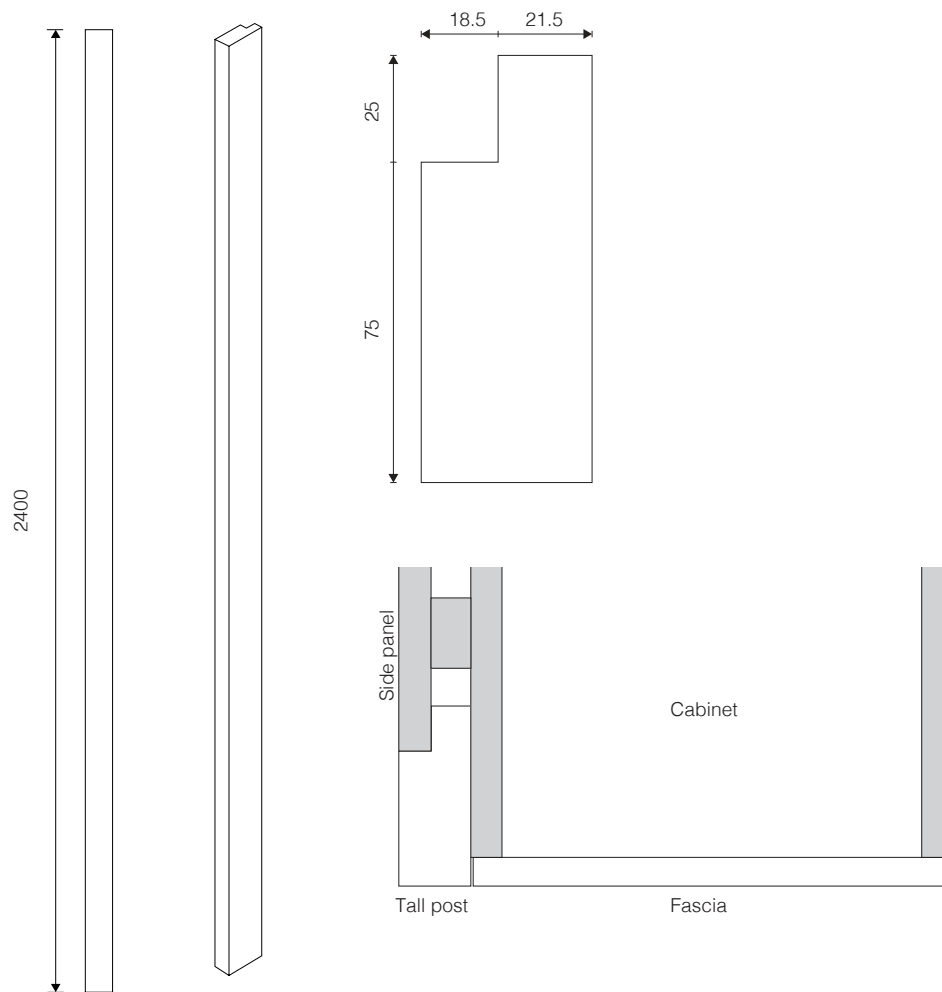


Note: Face of plinth is designed to sit back 50mm from the front edge of the cabinet.

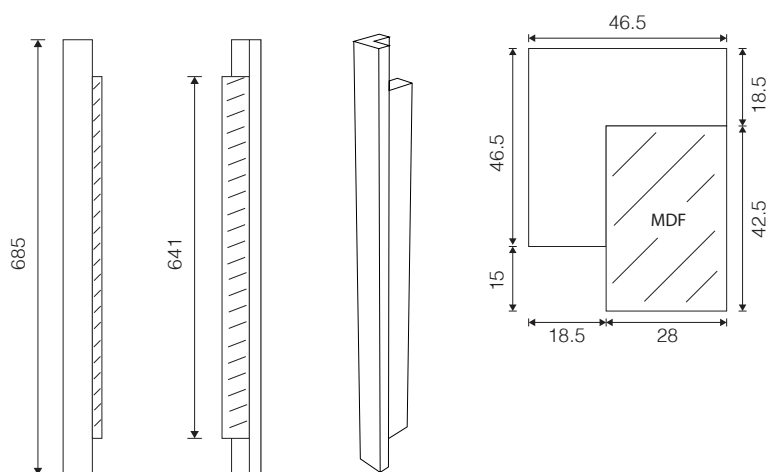
INTERNAL CORNER POST



TALL CORNER POST



EXTERNAL CORNER POST

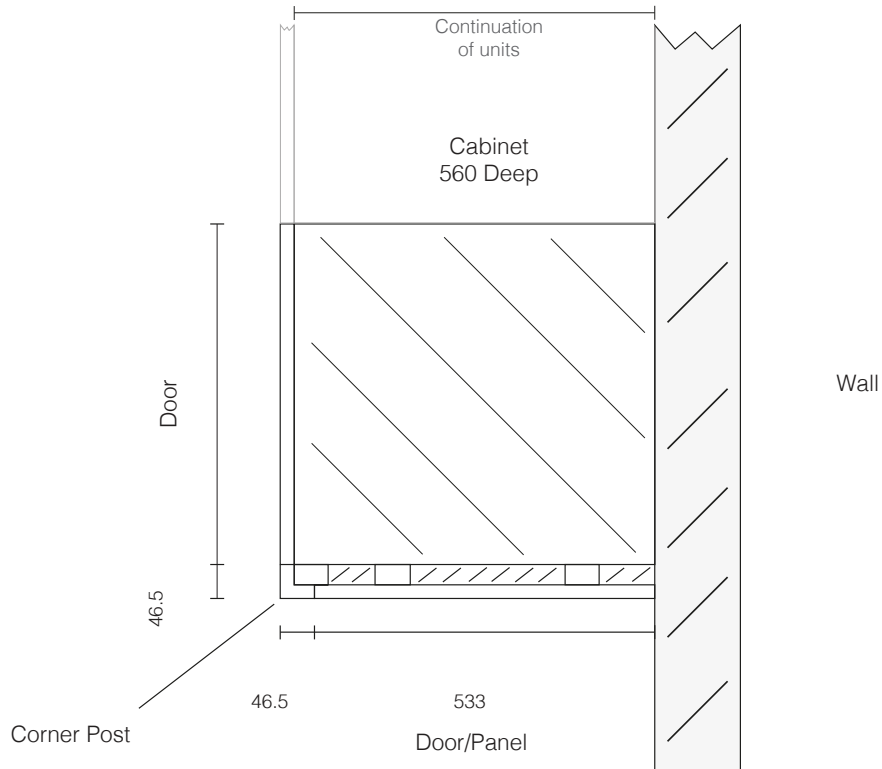


Technical Drawings

Cosdon

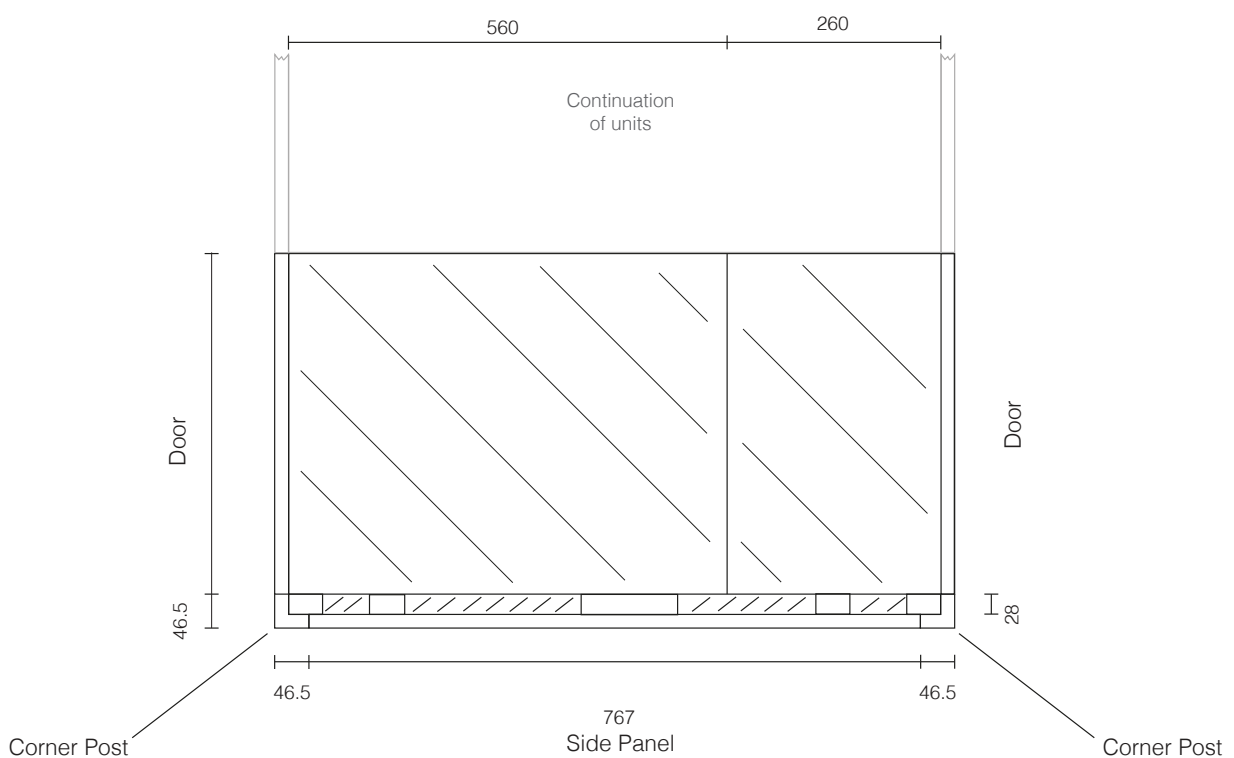
EXTERNAL CORNER PORT - BASE UNIT

See page 235 for corner post drawing



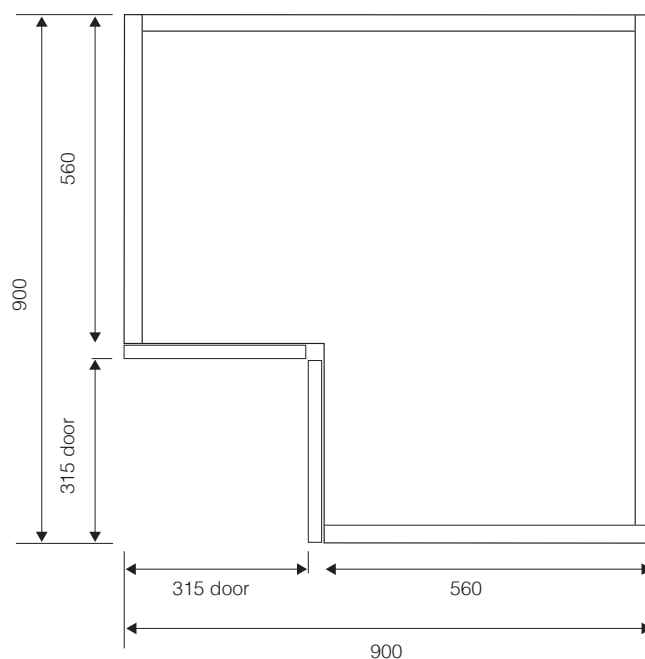
EXTERNAL CORNER PORT - 900 ISLAND

See page 235 for corner post drawing



CORNER DOOR UNIT - BASE

Doors widths to be used = 315mm

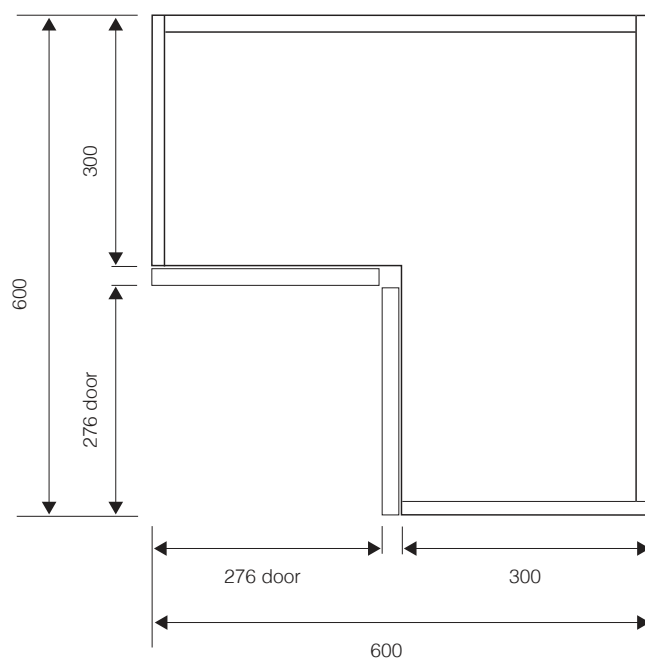


Did you know?

Cosdon corner doors can be double hinged or bi-folded.

CORNER DOOR UNIT - WALL

Doors widths to be used = 276mm

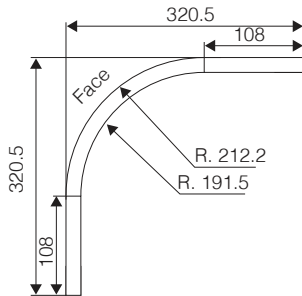


Technical Drawings

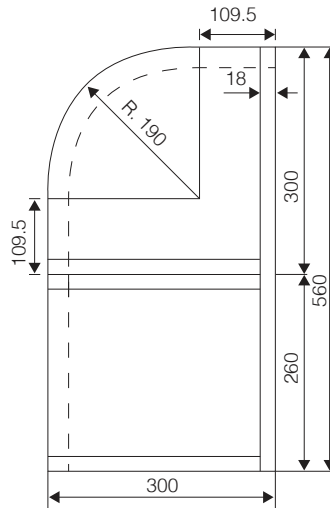
Eastdon

CONVEX CURVED DOOR

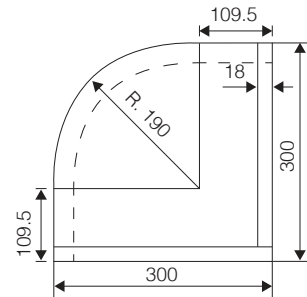
Door Dimension



Base Unit



Wall Unit

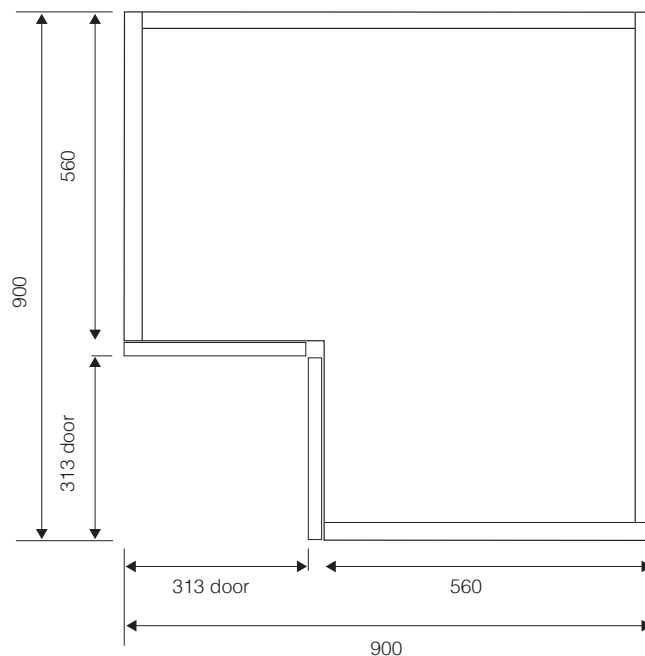


Note: Face of plinth is designed to sit back 40mm from the front edge of the cabinet.

Pelmet sits flush with cabinet, not the door.

CORNER DOOR UNIT - BASE

Doors widths to be used = 313mm

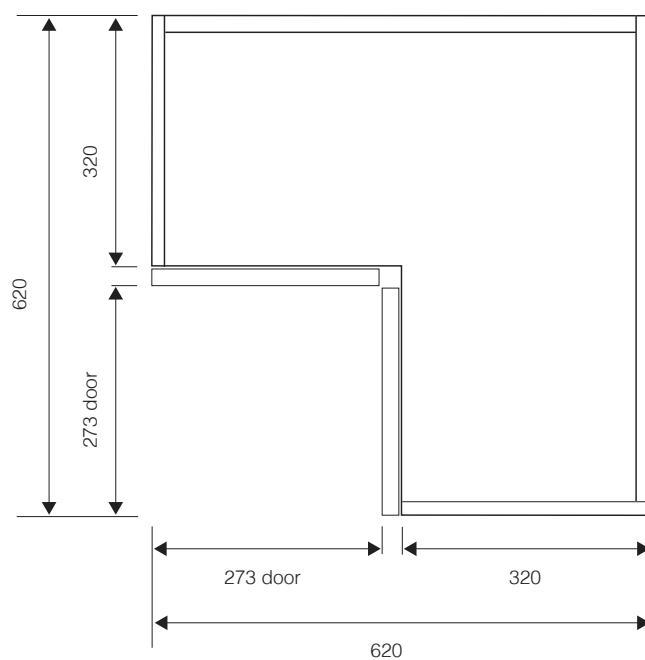


Did you know?

Eastdon corner doors can be double hinged or bi-folded.

CORNER DOOR UNIT - WALL

Doors widths to be used = 273mm

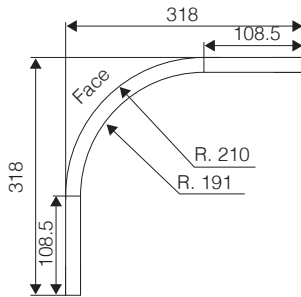


Technical Drawings

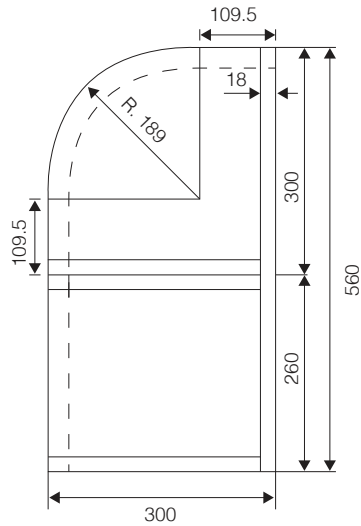
Farringdon

CONVEX CURVED DOOR

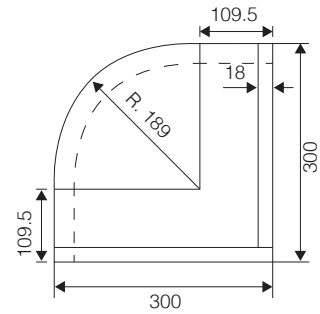
Door Dimensions



Base Unit



Wall Unit



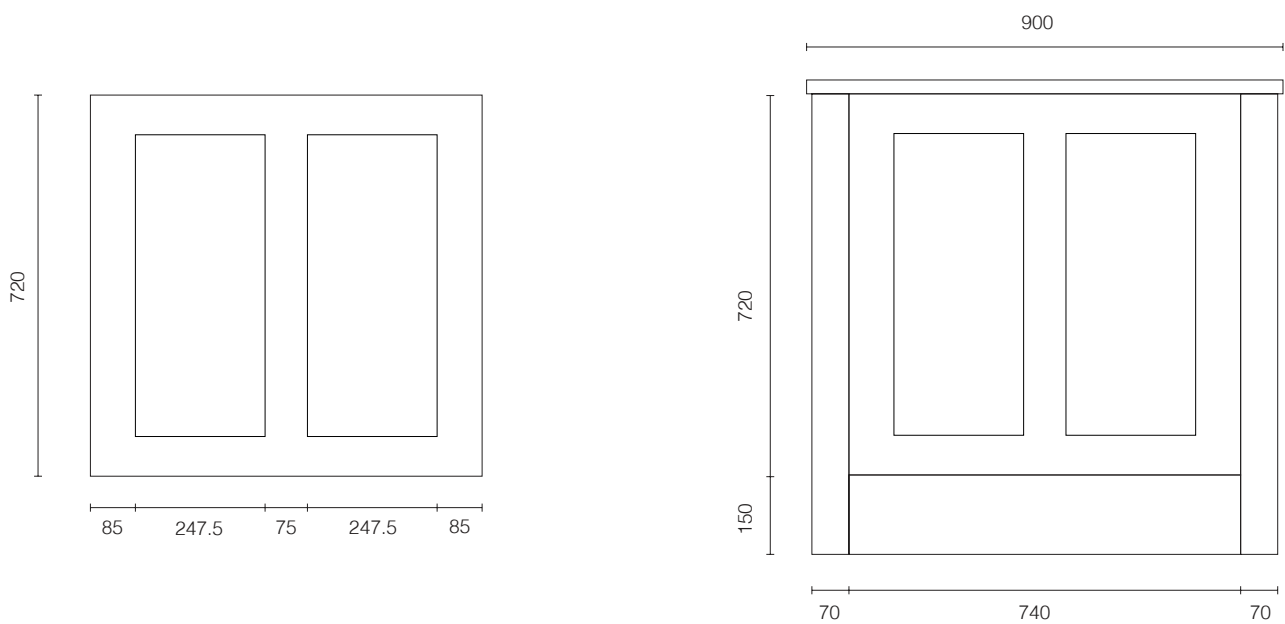
Note: Face of plinth is designed to sit back 50mm from the front edge of the cabinet.

TWIN BASE PANEL

The twin base panel has been designed to work with a typical kitchen island worktop depth. The panel suits a 920mm deep island, but can be cut down to suit 900mm deep island.

The panel must be used in conjunction with the square pilasters.

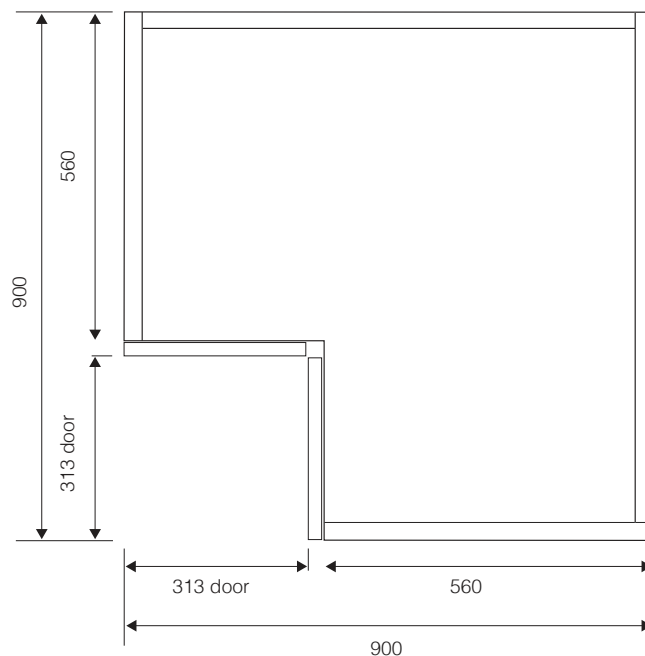
Island - side view



Farringdon

CORNER DOOR UNIT - BASE

Doors widths to be used = 313mm

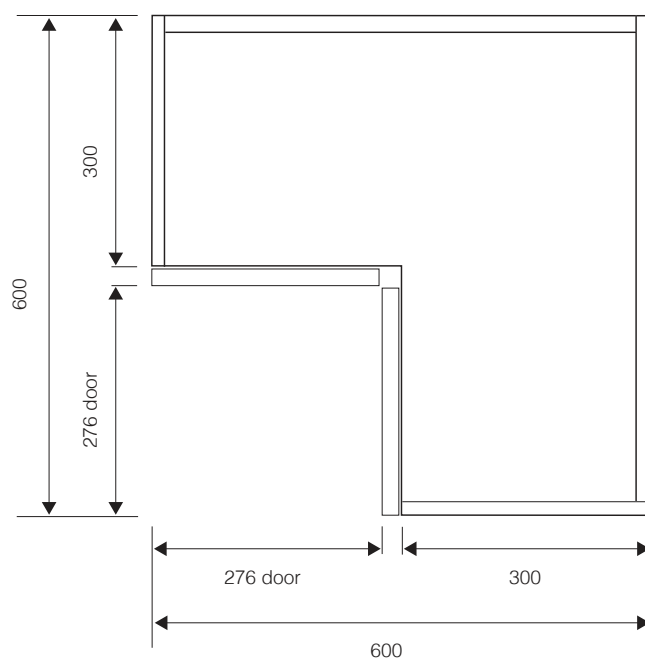


Did you know?

Farringdon corner doors can be double hinged or bi-folded.

CORNER DOOR UNIT - WALL

Doors widths to be used = 276mm

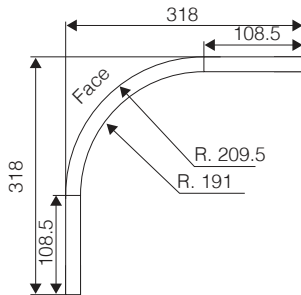


Technical Drawings

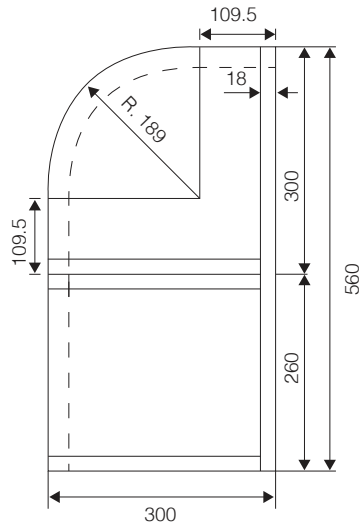
Hartside

CONVEX CURVED DOOR

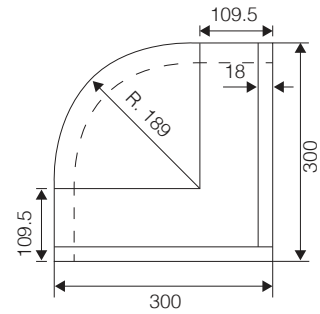
Door Dimensions



Base Unit

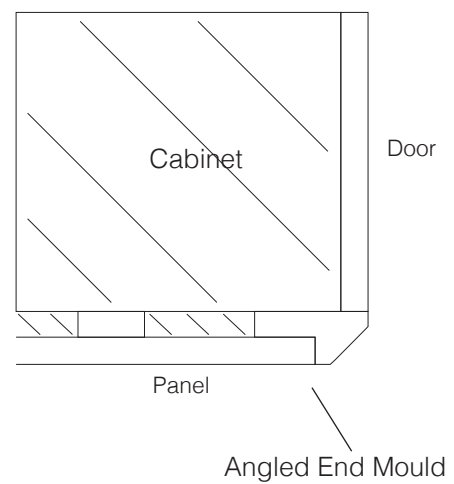
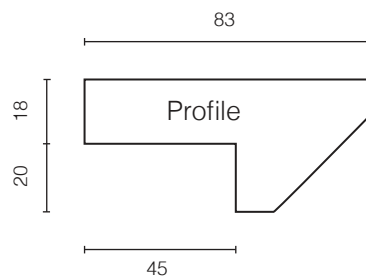
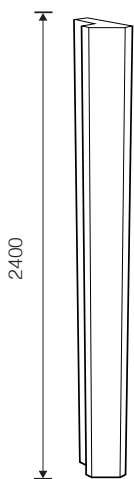


Wall Unit



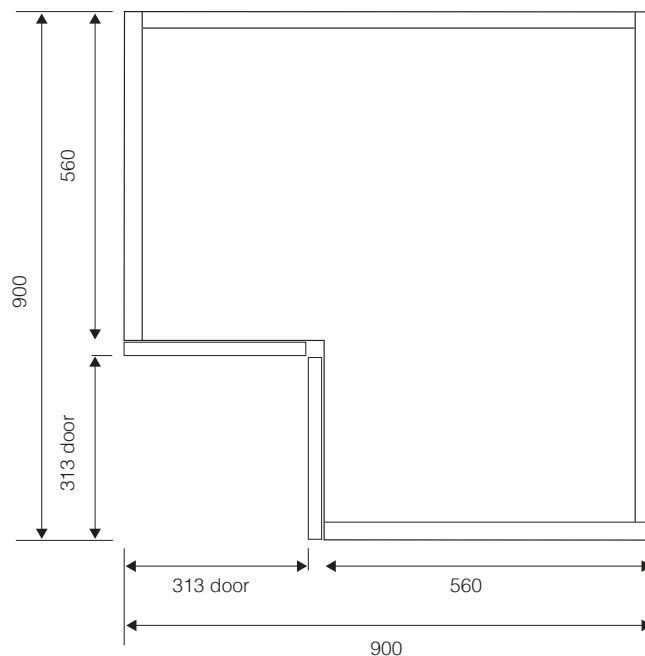
Note: Face of plinth is designed to sit back 50mm from the front edge of the cabinet.

ANGLED END MOULD



CORNER DOOR UNIT - BASE

Doors widths to be used = 313mm

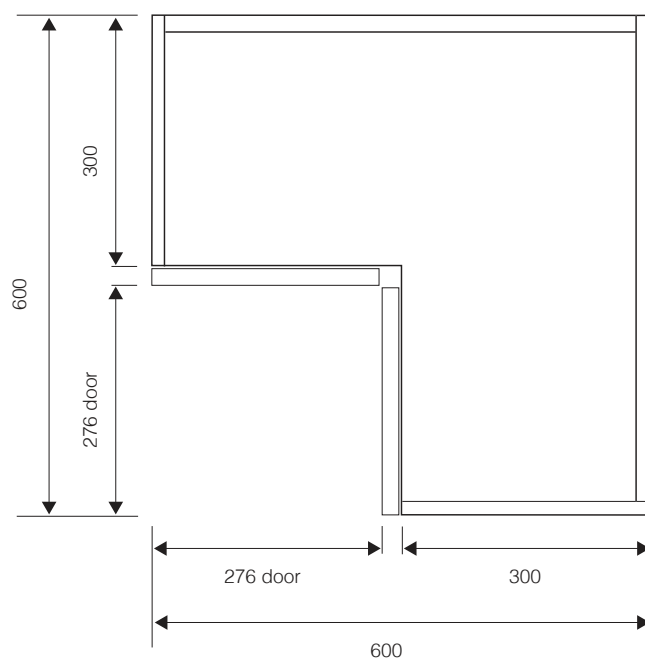


Did you know?

Hartside corner doors can be double hinged or bi-folded.

CORNER DOOR UNIT - WALL

Doors widths to be used = 276mm

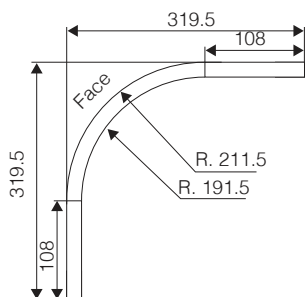


Technical Drawings

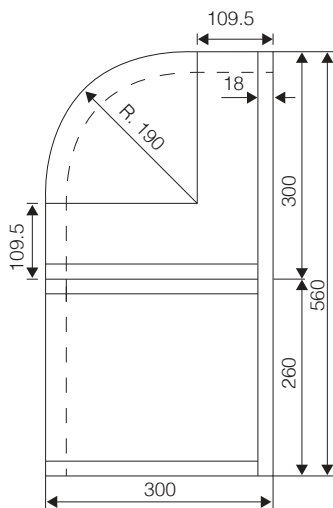
Rivington

CONVEX CURVED DOOR

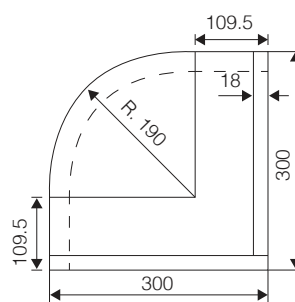
Door Dimension



Base Unit



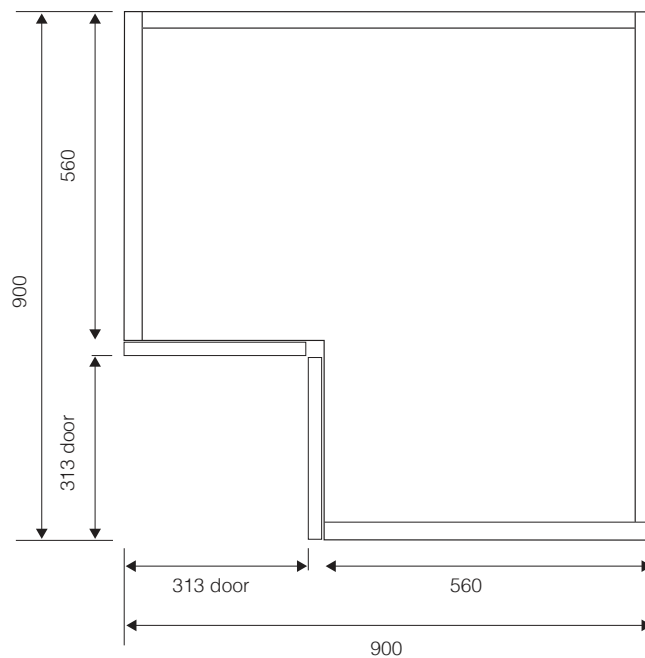
Wall Unit



Note: Face of plinth is designed to sit back 40mm from the front edge of the cabinet.

CORNER DOOR UNIT - BASE

Doors widths to be used = 313mm

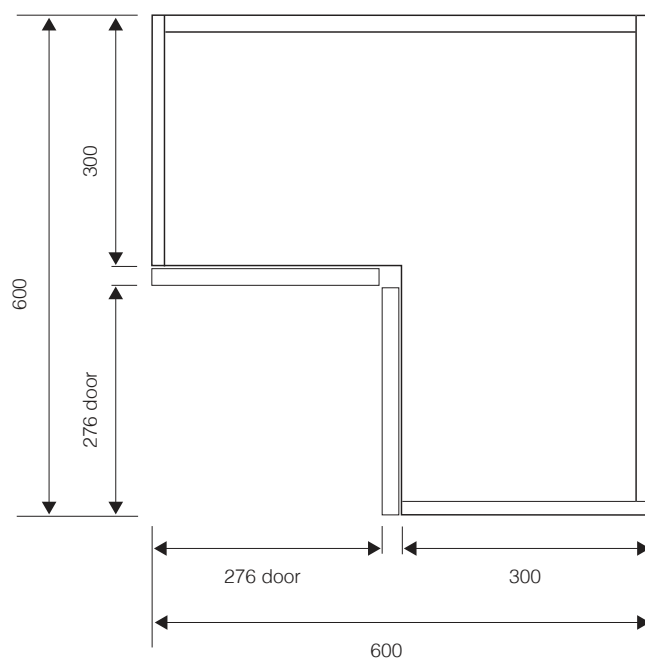


Did you know?

Rivington corner doors can be double hinged or bi-folded.

CORNER DOOR UNIT - WALL

Doors widths to be used = 276mm



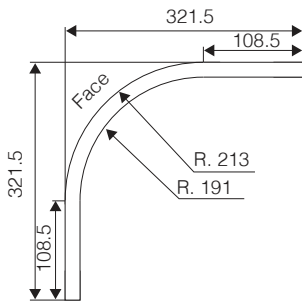
Technical Drawings

Welford

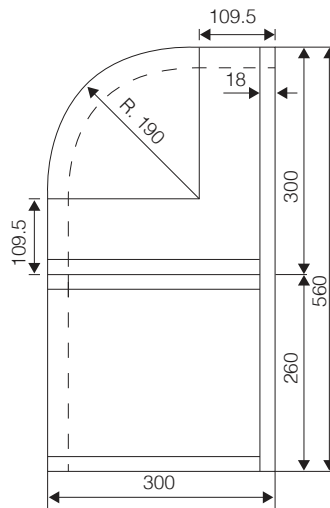
CONVEX CURVED DOOR

External curved door to suit base and wall units

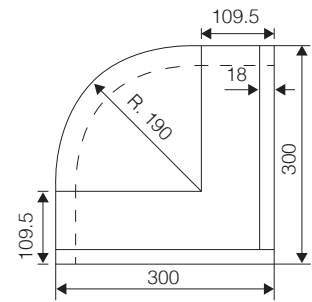
Door Dimensions



Base Unit



Wall Unit



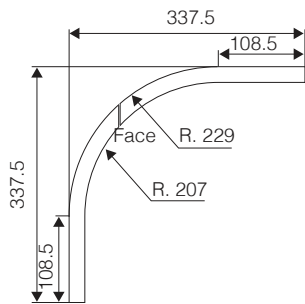
Note: Face of plinth is designed to sit back 50mm from the front edge of the cabinet.

CONCAVE CURVED DOOR

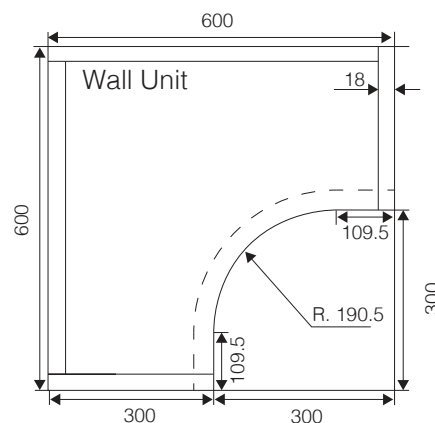
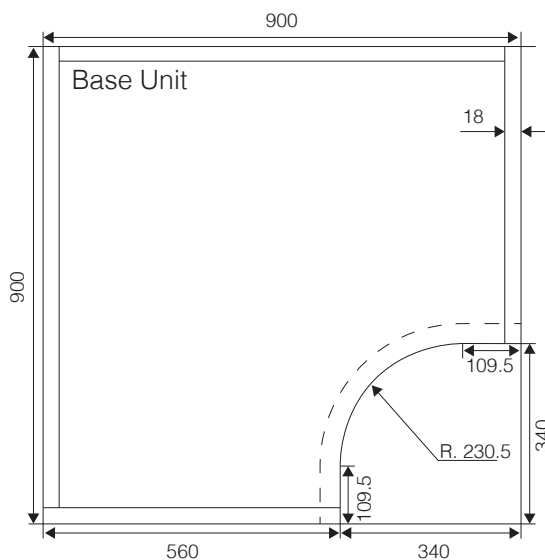
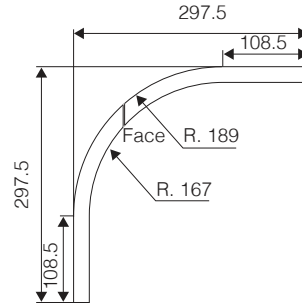
Internal curved doors are sold as a pair; left-hand & right-hand.

This design enables the handle to run uninterrupted throughout the curved section

Base Door Dimensions



Wall Door Dimensions



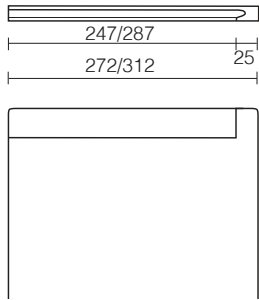
Note: Face of plinth is designed to sit back 50mm from the front edge of the cabinet.

Welford

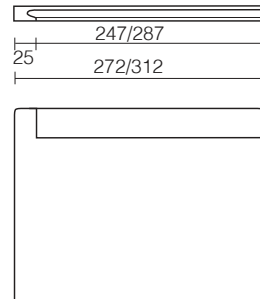
CORNER SETS

Corner doors are sold as a pair (left and right hand)

Left Hand Door

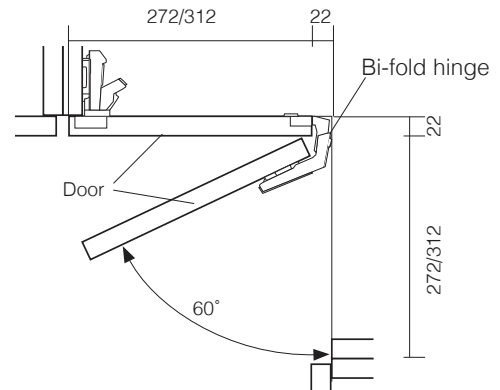
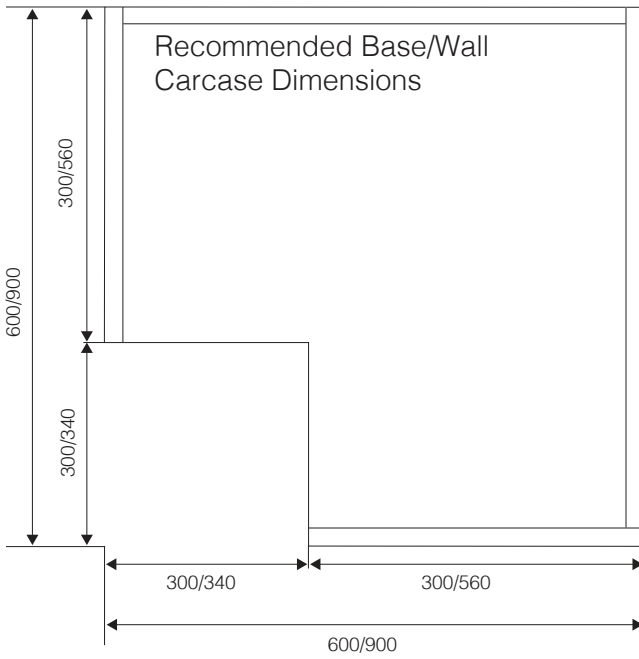


Right Hand Door



Did you know?

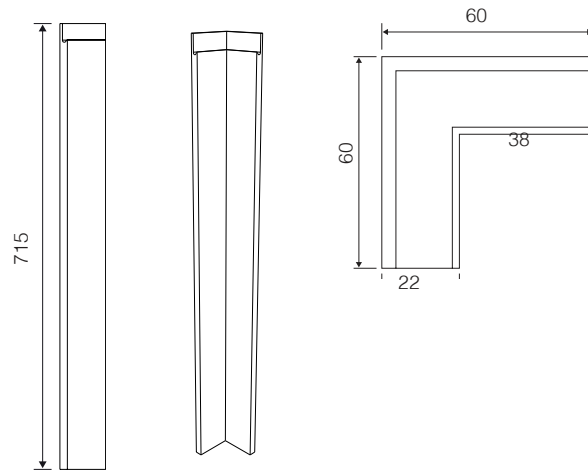
Welford corner doors can also be double hinged.



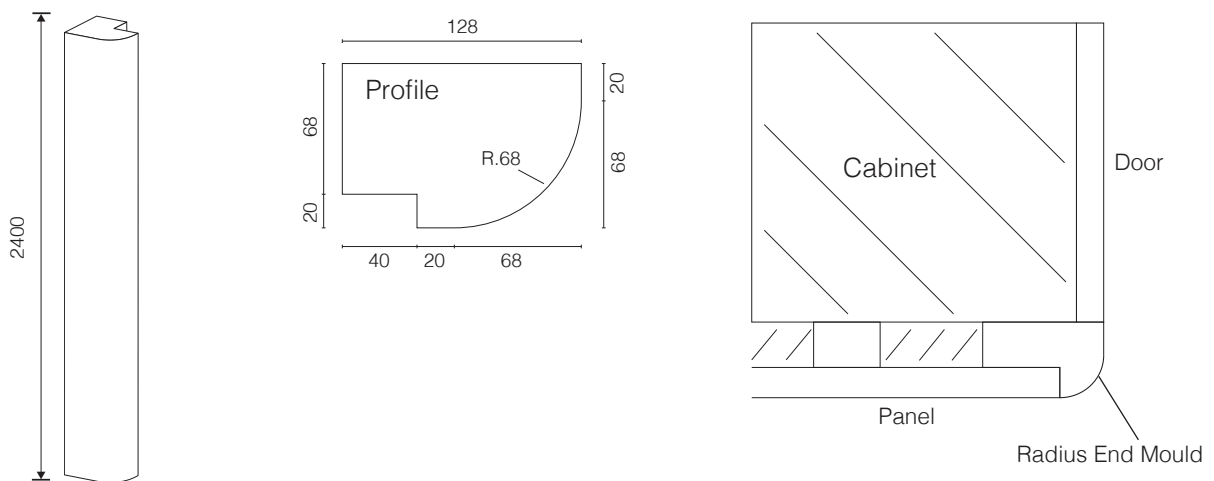
Technical Drawings

Welford

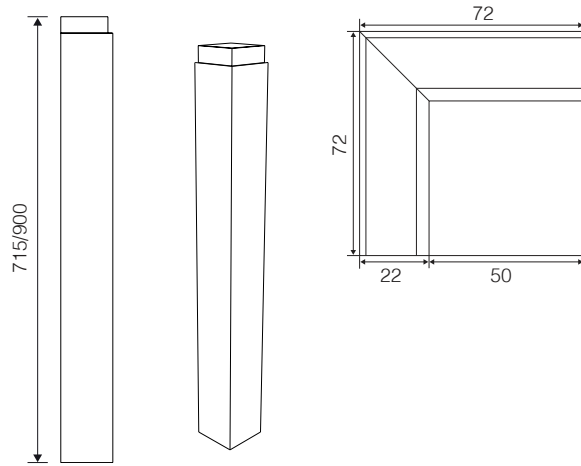
INTERNAL CORNER POST



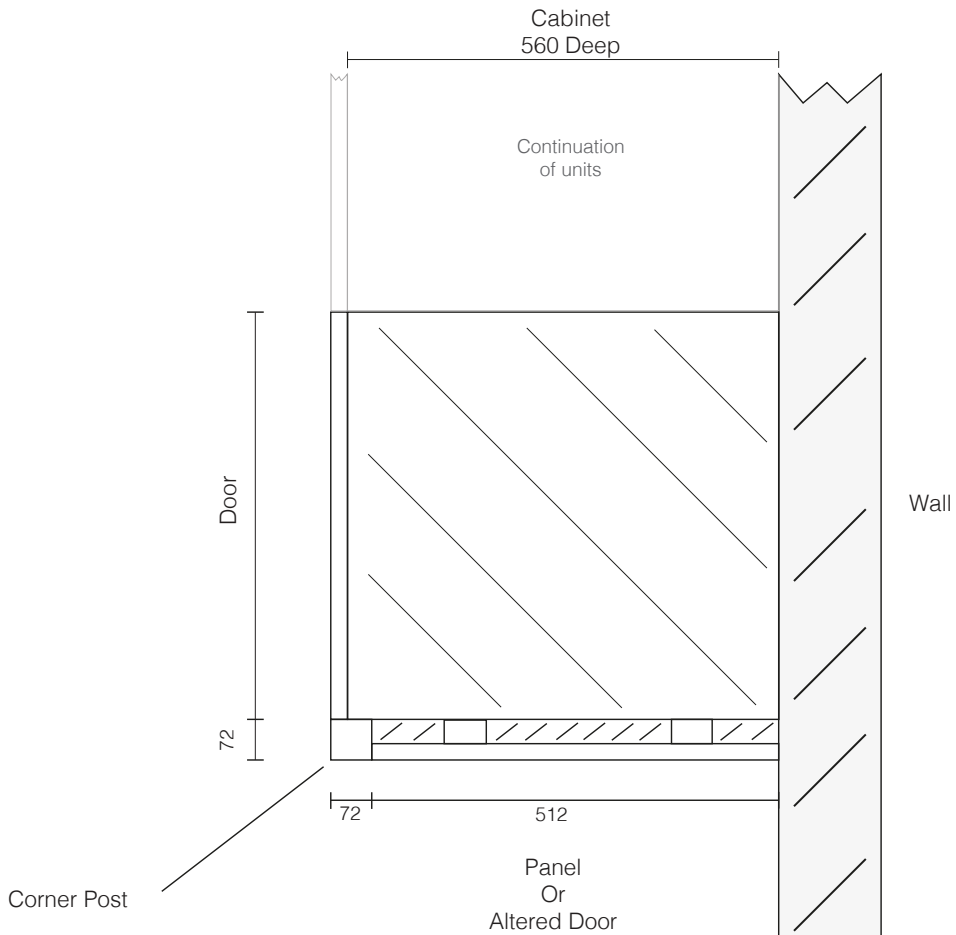
RADIUS END MOULD



EXTERNAL CORNER POST



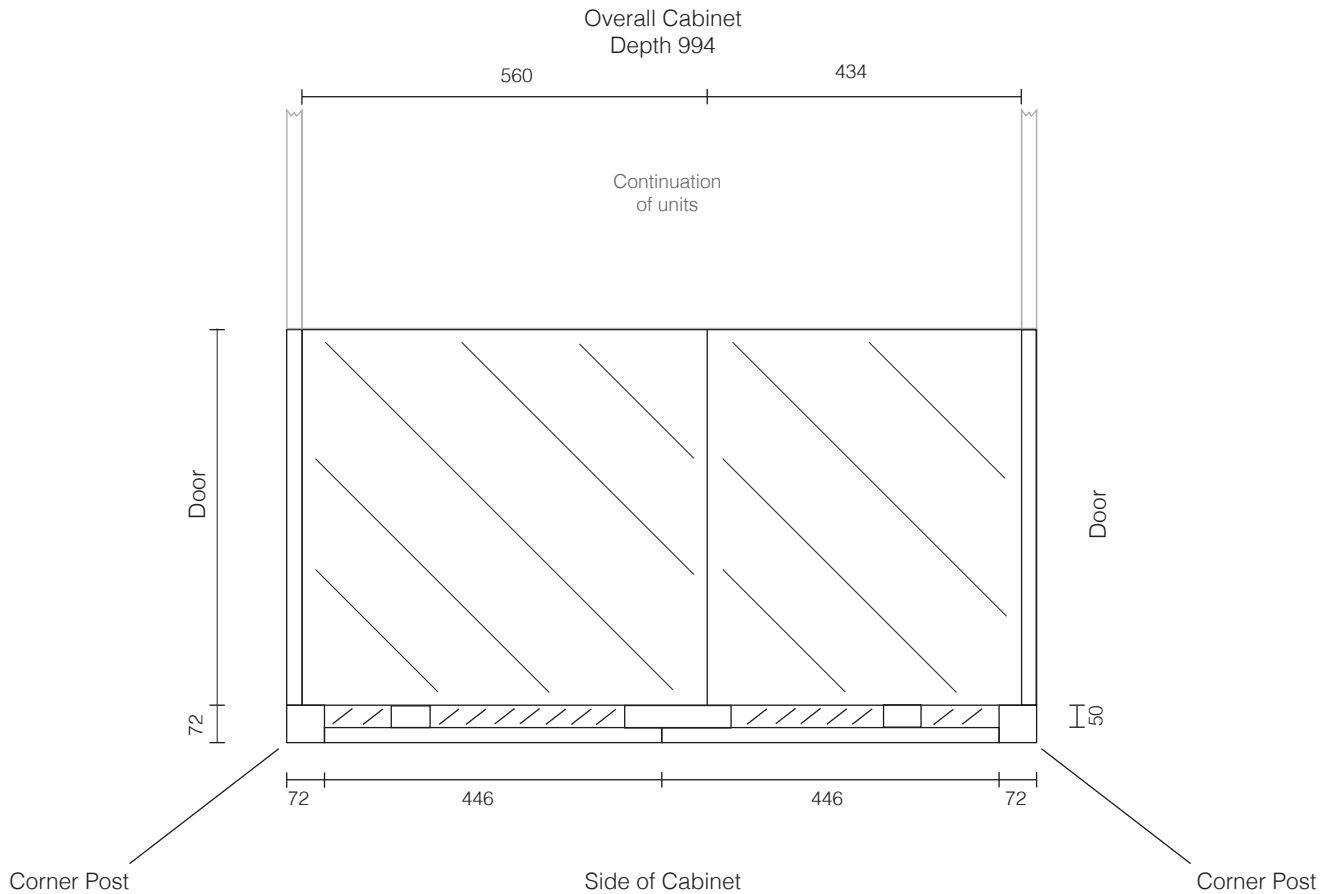
EXTERNAL CORNER POST - BASE UNIT



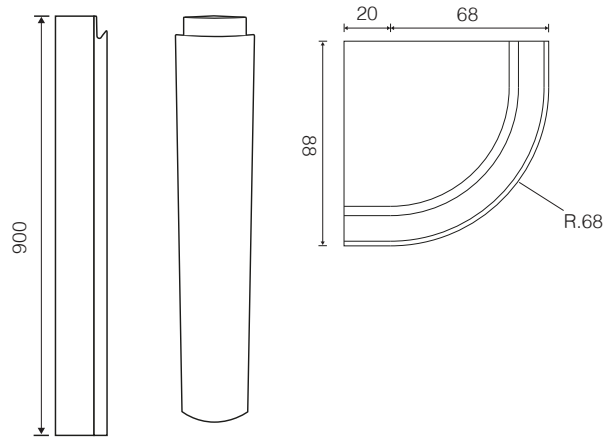
Technical Drawings

Welford

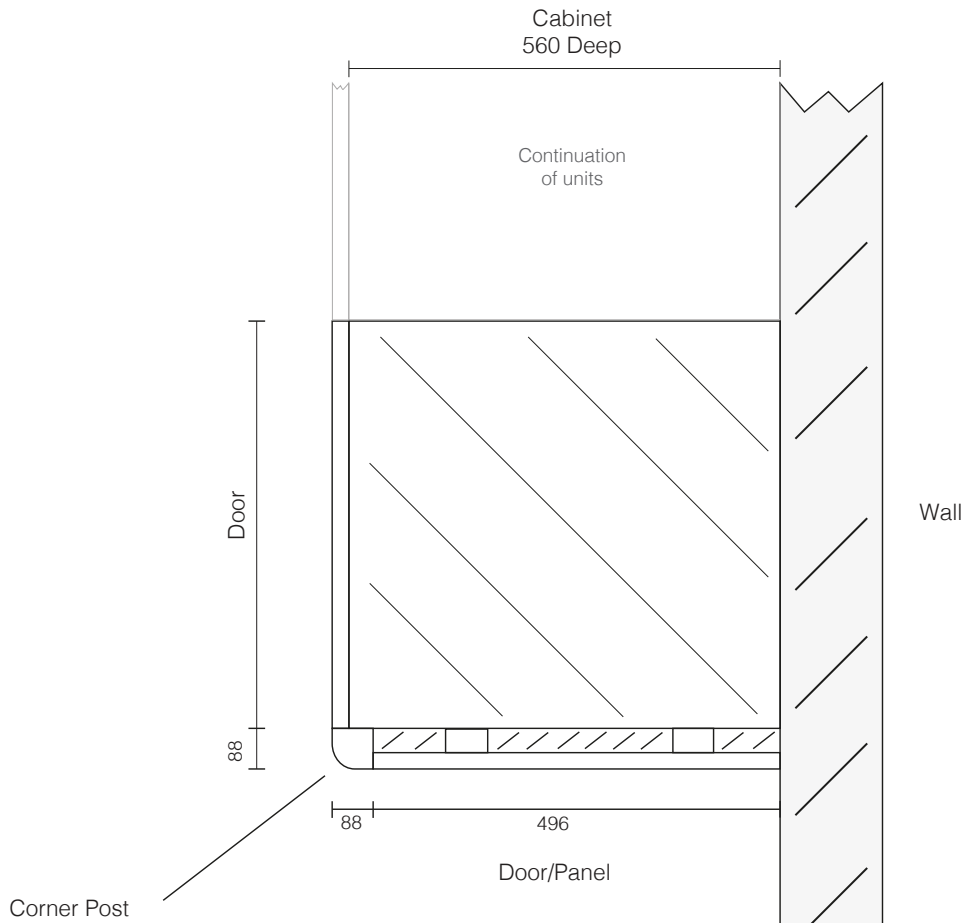
EXTERNAL CORNER POST - ISLAND



RADIUS CORNER POST



RADIUS CORNER POST - BASE UNIT



Technical Drawings

Welford

RADIUS CORNER POST - ISLAND

